

Filtration Adapters

CG-1049-C ADAPTER, VACUUM, THREADED

Adapters are used for filtration directly into vials. There are three top configurations, with the bottom of all adapters having a 20-400 GPI thread for connection to vials using a CG-1318 Threaded Connector. Design incorporates a drip tube sealed within the thread to prevent breakage and are supplied with a 2-1/2" PTFE delivery stem. Hose connection is 10mm OD at the largest serration. **ADAPTERS ARE SUPPLIED WITH PTFE DELIVERY STEM.**

- Adapter with tooled flare top is used for reduced pressure filtration with plain stem buchner funnels. Flare accepts a #2 Pluro Stopper. **ADAPTER IS NOT SUPPLIED WITH PLURO STOPPER UNLESS PURCHASED AS A KIT. SEE CG-1401 FOR STOPPER.**
- Adapter with outer luer joint provides a convenient way to connect solid phase extraction (SPE) cartridges, tubes or syringes. The adapter provides for easier sample concentration and clean-up while reducing the chances of cross-contamination.
- Adapter with 20-400 GPI thread allows for transfer from vial to vial.
- Kits are available with one each of the glass adapters, PTFE delivery stem packaged in a divided plastic box.



CG-1049-C

Please Call for Current Pricing

Part Number	Description	Kit Price
CG-1049-C-10	Vacuum Adapter Kit to Consist of:	178.00
1ea CG-1049-C-02	Adapter, #2 Pluro Stopper	
1ea CG-1049-C-04	Adapter, Luer Outer	
1ea CG-1049-C-06	Adapter, 20-400 GPI	
1ea CG-1049-C-50	PTFE Delivery Stem, 12/Pkg	
1ea CG-1401-11	#2 Pluro Stopper	

Replacement Components:

Part Number	Description	Price
CG-1049-C-02	Adapter, Tooled #2 Pluro Stopper Flare	55.00
CG-1049-C-04	Adapter, Outer Luer Joint	55.00
CG-1049-C-06	Adapter, 20-400 GPI Thread	55.00
CG-1049-C-50	3/16" ID X 1/4" OD X 2-1/2" Long PTFE Delivery Stem, 12/Pkg	15.00*
CG-1401-11	#2 Pluro Stopper	3.40*

*NOT SUBJECT TO DISCOUNT



CG-1049-C-02



CG-1049-C-04



CG-1049-C-06

CG-1318 ROTARY EVAPORATOR ADAPTER, VIAL

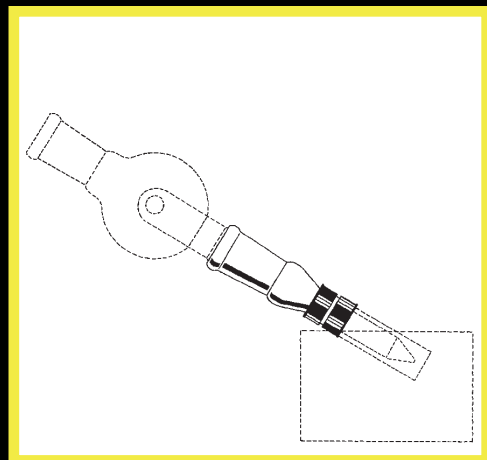
Adapters permit the connection of standard laboratory dram sample vials directly to the vapor tube or a bump trap of a rotary evaporator. With a top outer joint of the listed size and a 20-400 G.P.I. thread at the bottom. A Teflon lined, polypropylene double threaded connector attaches the vial to the adapter.

Kits are now available complete with the glass adapter and the 6 sizes of the double threaded adapter, packaged in a divided plastic box.

For help in selecting thread sizes, please see the chart below.

Complete Kits:

Part Number	Description	Price
CG-1318-40	24/40 Glass Adapter Complete with all 6 threaded Vial adapters, 13-425, 15-425, 18-425, 20-400, 22-400, 24-400	98.00*
CG-1318-41	29/26 Glass Adapter Complete with all 6 threaded Vial adapters, 13-425, 15-425, 18-425, 20-400, 22-400, 24-400	102.00*
CG-1318-42	29/26 Glass Adapter Complete with all 6 threaded Vial adapters, 13-425, 15-425, 18-425, 20-400, 22-400, 24-400	102.00*
CG-1318-30	Threaded Vial Adapters Only, 13-425, 15-425, 18-425, 20-400, 22-400, 24-400	73.00*



CG-1318

Replacement Components

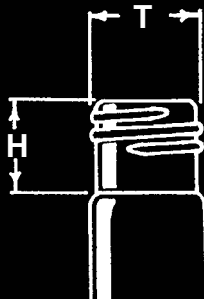
Part Number	Description	Price
CG-1318-10	24/40 Glass Adapter Only	30.00
CG-1318-11	29/26 Glass Adapter Only	34.00
CG-1318-12	29/42 Glass Adapter Only	34.00
CG-1318-20	Connector to Fit 13-425 Vials	10.10*
CG-1318-21	Connector to Fit 15-425 Vials	11.00*
CG-1318-22	Connector to Fit 18-425 Vials	11.90*
CG-1318-23	Connector to Fit 20-400 Vials	12.30*
CG-1318-24	Connector to Fit 22-400 Vials	12.60*
CG-1318-25	Connector to Fit 24-400 Vials	16.50*
CG-1318-99	Special Connector to Fit Haystack Vial with white polypro cap	15.20*



Complete Kit

Thread Selection Guide:

"T" mm	"H" mm			
	400	410	415	425
13	--	--	11.2	7.5
15	--	--	13.9	7.5
18	9.0	13.0	15.4	--
22	9.5	14.6	21.0	--
24	10.2	16.0	24.0	--



CHEMGLASS

3800 N. Mill Road
Vineland, NJ 08360

p: 1-800-843-1794

f: 1-800-922-4361

customer-service@chemglass.com

www.chemglass.com