



CLS-4100

Dura-Mag

5-POSITION DIGITAL STIRRER

NEW



KEY FEATURES INCLUDE:

- Trouble free brushless motor
- External power supply, for 100 to 230V service
- Heavy duty magnets and drive system
- Trouble free non-slip toothed Kevlar belt design with easy replacement
- Stainless steel stirrer plate cover
- Speed range from 20 to 150 rpm with clockwise and counterclockwise control
- Easy to read tilted display, function knob
- Analog output for remote sensing



Chemglass Life Sciences

3800 North Mill Road • Vineland NJ 08360 • U.S. and Canada phone: 1-800-843-1794 • Fax: 1-800-922-4361
customer-service@cglifsciences.com www.cglifsciences.com

CLS-4100

Dura-Mag

5-POSITION DIGITAL STIRRER



CLS-4100 STIRRER, MAGNETIC, 5-POSITION

The Chemglass Life Sciences five position magnetic stirrer is a rugged design for 24/7 laboratory or production applications. The small foot print is ideal for CO₂ incubators with maximum capacity of five, one liter spinners or four, three liter vessels. Dimensions: 14.5"w. x 15.25"d. x 3"h.

<u>Item Number</u>	<u>Description</u>	<u>Price</u>
CLS-4100-05	Stirrer, Magnetic, 5-Position, 120V	\$ 1,499.00*

PRODUCT COMPARISON

CLS-4100 DuraMag

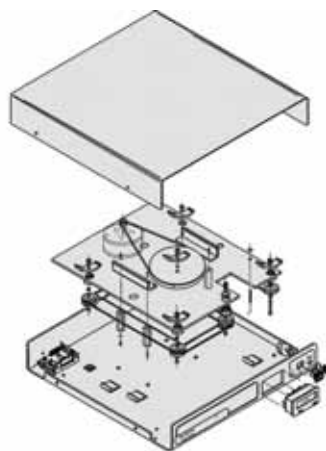


Kevlar reinforced
non-slip toothed belt provides
long trouble-free service



User friendly 2-belt design
makes any maintenance
fast and easy

The Competition's Stirrer



- Shorter lifespan rubber o-rings and belts
- Requires complex disassembly to replace O-ring and 4 belts

*not subject to discount

