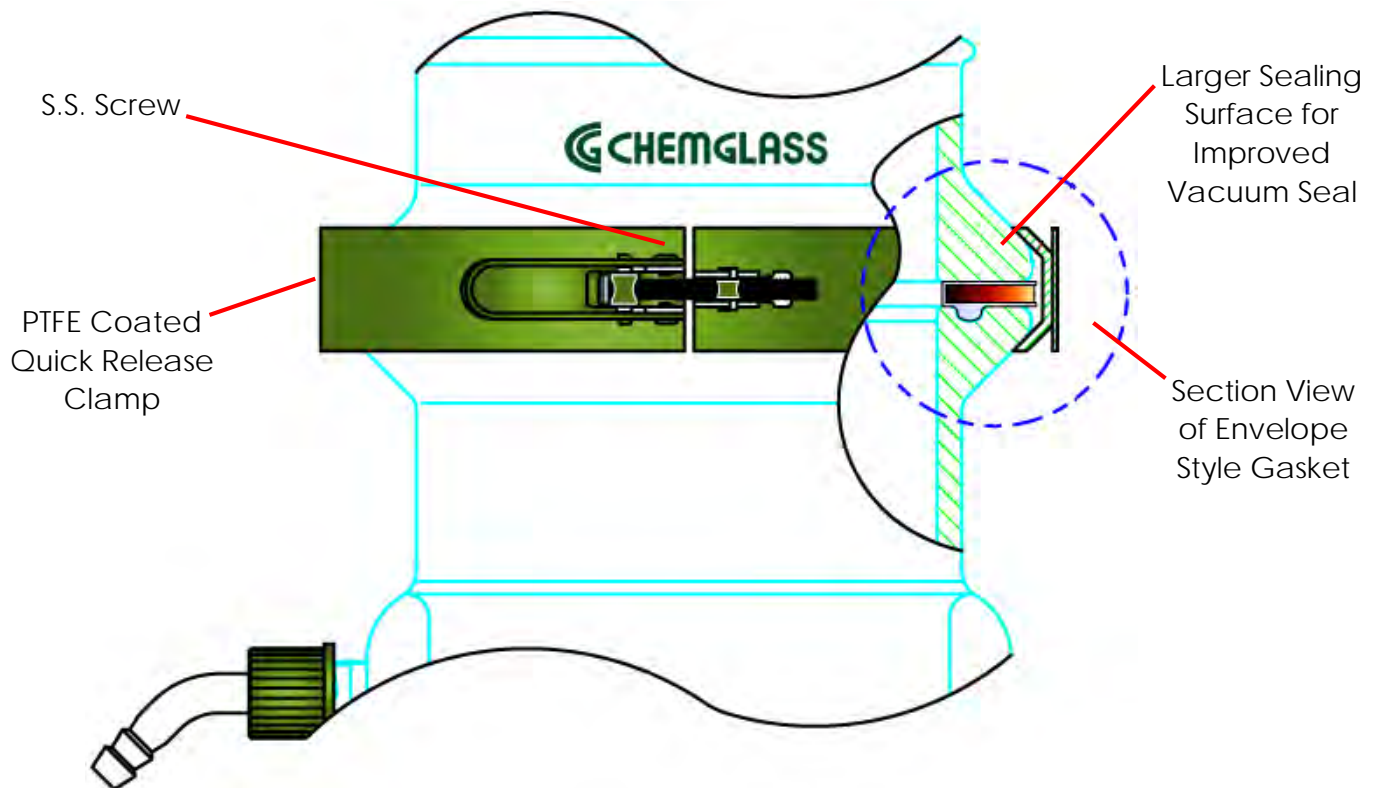


## CG-147-G & -P Gaskets

Due to the increased thickness of these gaskets, it may be necessary to switch out the shorter S.S. screw for the longer 100mm screw to ensure proper fit. Gaskets supplied with one screw as needed per the chart below. Additional screws can be purchased separately.



**CG-147-G**  
Envelope Style, PTFE, Silicone Core



**CG-147-P**  
Perfluoro/Silicone

CG-147-G-100 (100mm screw) Supplied with Gasket:

CG-147-G-01	NO
CG-147-G-02	NO
CG-147-G-03	NO
CG-147-G-05	YES
CG-147-G-06	YES

CG-147-P-01	NO
CG-147-P-02	NO
CG-147-P-03	YES
CG-147-P-04	YES