



30/60 VAC Dual Power Controller CG-15010-20

User's Manual



CHEMGLASS

3800 North Mill Road · Vineland, NJ 08360 · USA

Ph: 1-800-843-1794 · Fx: 1-800-922-4361

Web: www.chemglass.com

REV: CG050614

Table of Contents:

	<u>page</u>
Features	3
General Use	3
Setup & Operation	4
Specifications	5
Troubleshooting	5
Maintenance	6
Warranty	6

Features:

1. Selectable output voltage (30 VAC or 60 VAC).
2. Dual channels.
3. Lighted ON/OFF Switch.
4. Circuit protection.
5. 20 WATTS @ 30 VAC. 27 WATTS @ 60 VAC
6. Low profile housing.

General Use:

The Power Controller is used to manually adjust power to a load with a simple turn of a knob. It was designed for use with low voltage heating mantles. The output voltage is selectable at 30 VAC and 60 VAC. The approximate values for the voltage output per channel can be found in Table 1¹.

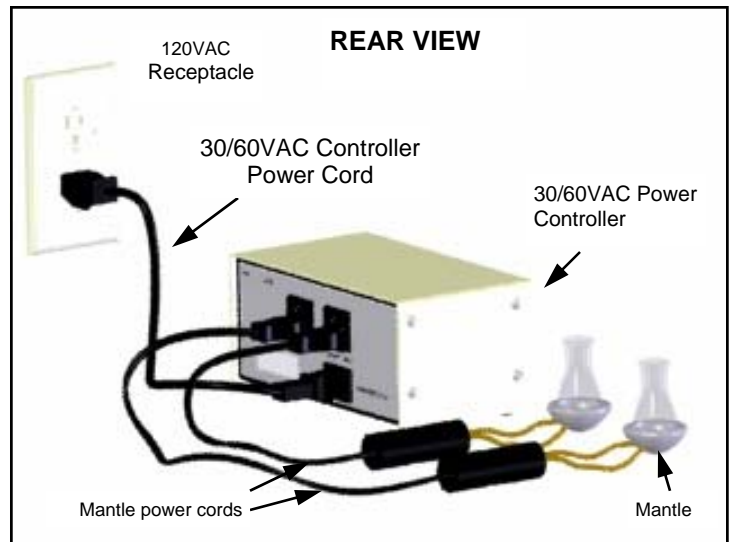
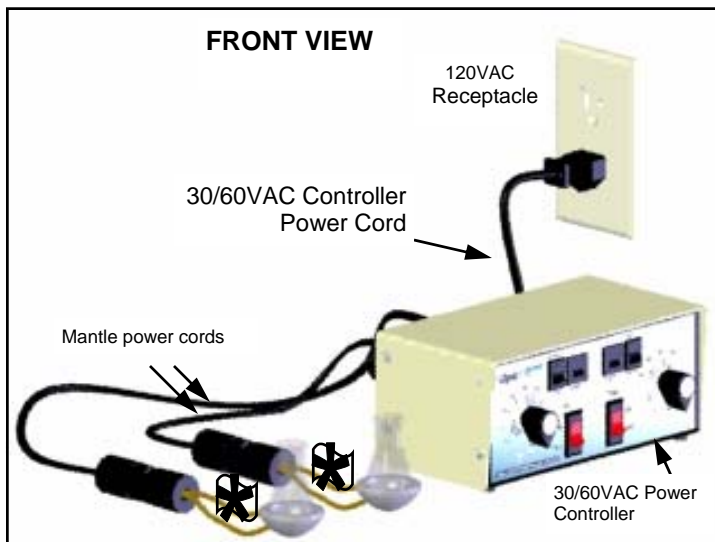
Knob Setting (%)	Approximate VAC Output	
	30 VAC	60 VAC
0	0.2 +/-2 +/-5%	0.7 +/-2 +/-5%
20	0.2 +/-2 +/-5%	0.7 +/-2 +/-5%
40	0.2 +/-2 +/-5%	15.3 +/-2 +/-5%
60	6.2 +/-2 +/-5%	28.0 +/-2 +/-5%
80	23.0 +/-2 +/-5%	46.0 +/-2 +/-5%
100	29.5 +/-2 +/-5%	57.0 +/-2 +/-5%

Table 1: Approximate Output Voltages

¹ Actual voltage outputs can be found by using a voltmeter or digital multi-meter across the heating mantle or load.

Setup & Operation:

1. Connect the heater / heating mantle to the load receptacle (located on the rear of the unit) for desired channel(s).
2. Plug the power cord of the Power Controller into an electrical outlet.
3. Turn the ON/OFF switch to its ON position. In the ON position, the switch will be illuminated.
4. Select either the 30 VAC or 60 VAC output.
5. Turn the control knob to your desired power setting.
6. When the knob is pointed at 100%, full power will be applied to the load. (Refer to Table 1)



***NOTE:** Do Not Exceed Wattage & Voltage Requirements of Heating Mantle

Specifications:

Input Voltage: 120VAC, 50/60 Hz.
Output Range: 5% to 100% of rated voltage per channel

Maximum Output Power: 27 Watts +/-5% per channel.
Maximum Output Voltage: 60 VAC +/- 5% per channel.
Maximum Output Current: .45 Amps +/-5% per channel.

NOTE: THIS UNIT MUST ONLY BE USED WITH 30VAC or 60VAC RATED DEVICES, i.e. HEATERS AND MANTLES

Troubleshooting:

Problem	Possible Cause	Corrective Action
No Output/Heating	Circuit Breaker tripped on power controller	Depress black button on circuit breaker. NOTE: if circuit continues to trip – Call for service
	Loose connections	Ensure all connections are correct and secure
	Burned out element in heater/mantle	Plug an incandescent light into the power controller's output – if bulb lights, then the heater/mantle is defective. – If the bulb does not illuminate then call for service
Power switch does not illuminate when turned on	Circuit Breaker tripped on power controller	Depress black button on circuit breaker. NOTE: if circuit continues to trip – Call for service

Maintenance:

1. Do NOT connect heating mantles or heaters (resistive loads) that have power ratings of greater than 27 watts.
2. Do NOT connect motors (inductive or capacitive loads) to this unit.
3. Do NOT use aggressive solvents to clean this unit.
4. This unit should be kept away from temperatures above 60 °C.

Warranty:

Chemglass, Inc. warrants this unit against defects in material and workmanship for a period of two years from the date of sale. If the unit should malfunction, it must be returned for evaluation. If the unit is determined to have a defect in materials or workmanship, then it will be repaired or replaced at no charge. Tampering with the unit or damage resulting from excessive current, heat, moisture, vibration, corrosive materials, or misuse will void this warranty. Programming changes or reconfigurations are not covered under warranty. *Connecting any device to this unit that does not have a voltage rating of either 30VAC or 60VAC will void this warranty.*

Return Policy:

To return this item under warranty, advise the Chemglass Electronics Department of the situation and they will provide you with a return authorization number. The unit will be evaluated and repaired as required in accordance to the warranty.

Please contact the Chemglass Electronics Department with warranty repair information.

Tel: 1-800-843-1794 ext. 2124

Fax: 1-800-922-4361

Email: electronics@chemglass.com