

How to Choose the Correct Black Connector

When choosing a connector to fit your vial, you must first determine the GPI thread size on your vial. Using a caliper (not a ruler), first measure the "T" dimension of your thread. Be sure to measure to the outside of the thread (See Figure 1). Next measure the "H" dimension. Use the chart in Figure 2 to determine your thread size.

For example, the "T" dimension measures 13mm and the "H" dimension measures 7.50mm. You have a 13-425 GPI thread on your vial, and the correct connector would be CG-1318-20. If you have any further questions, please call our Technical Service Department at 1-800-843-1794, or e-mail technical-service@chemglass.com.

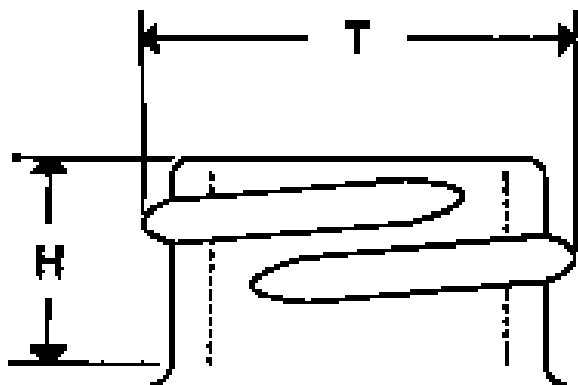


Figure 1

"T" Dimensions (mm)	"H" (mm)	
	400	425
13	-	7.50
15	-	7.50
18	9.05	-
20	9.50	-
22	9.50	-
24	10.25	-

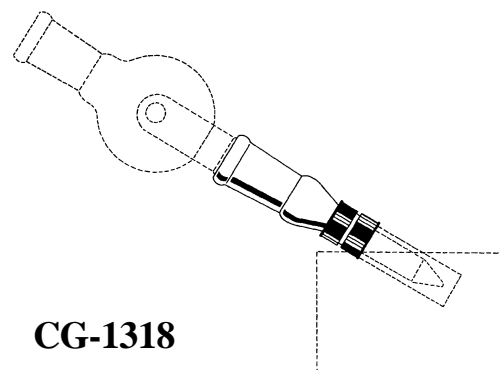
Figure 2

CG-1318 ROTARY EVAPORATOR ADAPTER, VIAL

Adapter which permits the connection of standard laboratory dram vials directly to the vapor tube or a bump trap of a rotary evaporator. Adapter has a top outer joint of the listed size and a 20-400 G.P.I. thread at the bottom. A Teflon lined, polypropylene double threaded connector attaches the vial to the adapter. NOTE: The glass adapter and double threaded connections must be ordered separately.

Part

<u>Number</u>	<u>Description</u>
CG-1318-10	24/40 Glass Adapter Only
CG-1318-11	29/26 Glass Adapter Only
CG-1318-12	29/42 Glass Adapter Only
CG-1318-20	Connector to Fit 13-425 Vials
CG-1318-20	Connector to Fit 13-425 Vials
CG-1318-21	Connector to Fit 15-425 Vials
CG-1318-22	Connector to Fit 18-425 Vials
CG-1318-23	Connector to Fit 20-400 Vials
CG-1318-24	Connector to Fit 22-400 Vials
CG-1318-25	Connector to Fit 24-400 Vials
CG-1318-30	Connector Set consisting of one each of Codes -20, -21, -22, -23, -24, -25



CG-1318

C

3861 N. Mill Rd
Vineland, NJ 08350
Phone: 1-800-843-1794 • Fax: 1-800-922-4361
technical-service@chemglass.com
www.chemglass.com